

**Stainless steel submersible motor pumps
for chemically aggressive media.
Free passage 50 up to 70 mm.**

CTP50, CTP70

Application

Submersible motor pumps in the CTP50 and CTP70 series are used for pumping corrosive, abrasive or chemically aggressive domestic drainage- and waste water as well as fluid chemicals. With their large free passage of 50 or 70 mm, they are particularly well suited for use with media containing coarse solids and fibers, for wastewater disposal in industry and trade, and for conveying liquid chemicals in industrial processes.

DIN EN 12050-2*: Design tested and monitored.

Installation: Stationary or mobile.

Pumped medium: Domestic drainage- and waste water with solid and fibrous and chemically aggressive content. PH-value 3-14, with aggressive media maybe lower see specific resistance chart of used materials.

Max. temperature of pumped medium: 40° C, for non-ex pumps brief periods up to 60° C.

Operating mode: Continuous operation (S1).

Design

Fully submersible pump, consisting of:

Pump: Single stage centrifugal pump with horizontal discharge.

Impeller: Closed single-channel impeller for sludgy media containing solids or fibrous content. Free passage 50 mm or 70 mm.

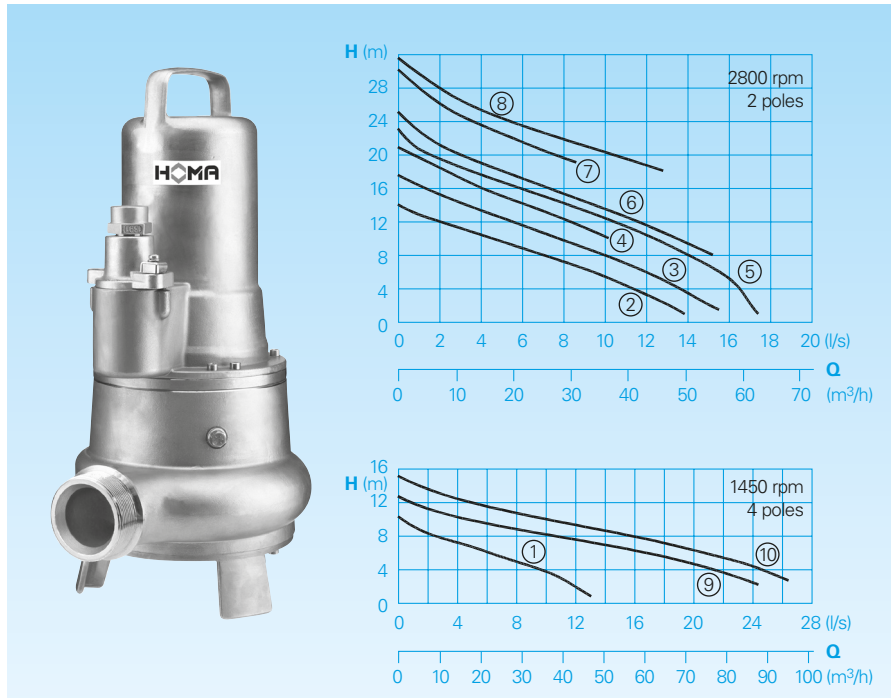
Motor: Fully submersible motor, sealed against pressurized water. Insulation class H. Protection rating IP 68. Thermal sensor for temperature monitoring in the winding. Connecting cable: H07RN8-F (Plus) 6G1,5 with cable protection hose and longitudinally tight cable trumpet.

Shaft/bearing: Strongly dimensioned stainless steel shaft, lifetime-lubricated roller bearings.

Seals: Combination of 2 mechanical seals (Silicon carbide/Silicon carbide) inside separate oil chamber that is independent of the direction of rotation. Oil control possible from the outside.

Explosion protection: Depending on the submersible pump motor, also available in explosion-proof design according to ATEX Directive 2014/34/EU.

Conveying capacity



Technical data

Curve No.	Pump type	Motor input		Rotational speed (rpm)	Nominal current (A)	Free passage (mm)	Discharge	Weight (kg)
		P ₁ (kW)	P ₂ (kW)					
①	CTP50 M 13/4 D (Ex)	1,3	1,0	1450	2,6	50	G2 1/2	39
②	CTP50 M 19/2 D (Ex)	1,9	1,5	2800	4,0	50	G2 1/2	39
③	CTP50 M 23/2 D (Ex)	2,3	1,8	2800	4,4	50	G2 1/2	39
④	CTP50 M 24/2 D (Ex)	2,4	1,9	2800	4,6	50	G2 1/2	39
⑤	CTP50 M 34/2 D (Ex)	3,4	2,8	2800	5,8	50	G2 1/2	51
⑥	CTP50 M 35/2 D (Ex)	3,5	2,8	2800	5,8	50	G2 1/2	51
⑦	CTP50 M 35/2 HD (Ex)	3,5	2,8	2800	5,8	50	G2 1/2	51
⑧	CTP50 M 50/2 D	5,2	4,4	2800	8,7	50	G2 1/2	62
⑨	CTP70 M 26/4 D (Ex)	2,5	2,0	1450	5,4	70	DN 80	65
⑩	CTP70 M 31/4 D (Ex)	3,2	2,5	1450	6,1	70	DN 80	65

Voltage: 400V/3Ph 50Hz
* CTP70 = DIN EN 12050-1

Model Ex: explosion-proof

Materials

Pump housing, motor housing	Stainless steel 1.4436
Wear ring	Stainless steel 1.4571
motor shaft	Stainless steel 1.4462
mechanical connection parts	Stainless steel 1.4401
O-rings	FPM (Viton)
Mechanical seal	SiC / SiC, FPM (Viton)
Cable protection hose	Polyolefin
Impeller CTP50	Stainless steel 1.4436
CTP70	Stainless steel 1.4517

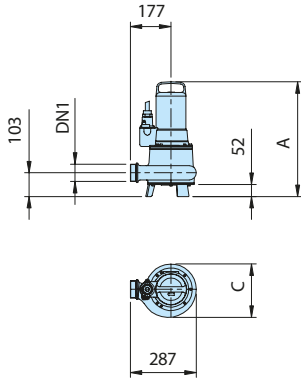
Scope of supply

Pump with integrated base stand. Base stand for CTP70 available as accessories.

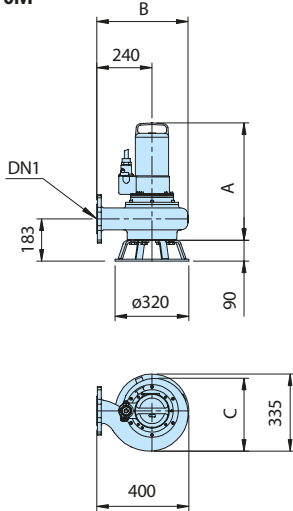
10 m of connecting cable, 5 m cable protection hose, loose cable end. Switchgears DT32; DA10/32; DA10/12; DZ12 available as accessories.

Dimensions and installation example (all dimensions in mm)

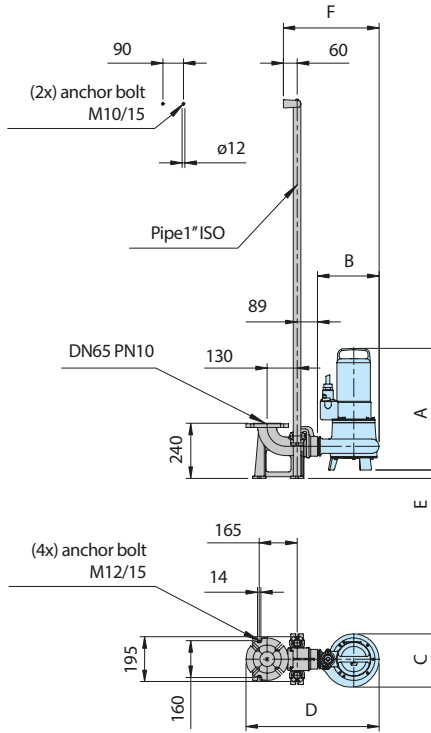
CTP50M



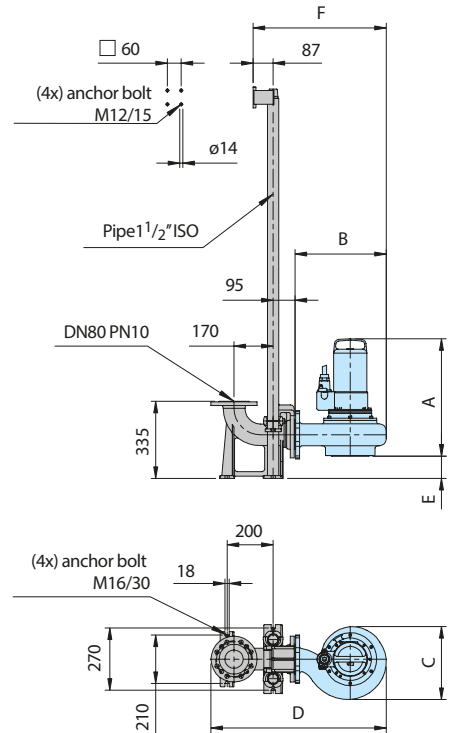
CTP70M



CTP50M
KKC65 / BSP 2½" - VA

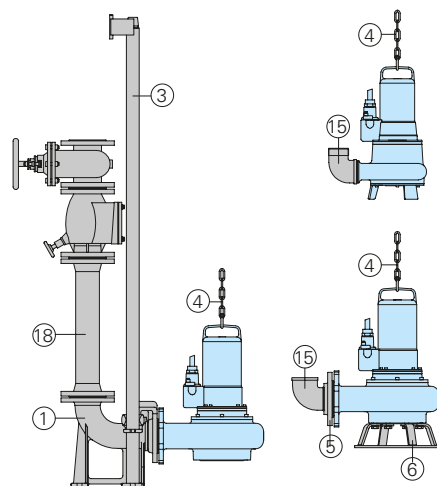


CTP70M
KKC80 / 80 - VA



Pump type	DN1	A max	B	C	D	E	F
CTP50 M 13/4 D (Ex)	G2 1/2	498	267	232	579	37	416
CTP50 M (19-24)/2 D (Ex)	G2 1/2	498	267	232	579	37	416
CTP50 M (34-35)/2 D (Ex)	G2 1/2	529	267	232	579	37	416
CTP50 M 35/2 HD (Ex)	G2 1/2	529	267	232	579	37	416
CTP50 M 50/2 D (Ex)	G2 1/2	567	267	232	579	37	416
CTP70 M (26-31)/4 D (Ex)	DN80 PN10	511	397	317	762	97	579

Accessories



Description	Size	Part no.	Description	Size	Part no.
① Automatic coupling system from stainless steel 1.4436, with clutch foot bend, coupling mating flange and slide rail bracket			④ Pump chain sets, tested. With shackle, single or dual row, different lengths and load bearing capacities	on request	
- Type KKC 65/BSP2½" DN 65/BSP2½"		8604017	⑤ Threaded flange DN 65/BSP2½" F		2215115
- Type KKC 80/80 DN 80		8604027	⑥ Base stand for CTP70 Stainless steel 1.4571		7321344
○ Screw-Kits for fastening coupling systems		on request	⑦ Connection bend 90°, BSP2½" F/M		2111826
○ Intermediate bracket for slide rail	Ø 1"	für KKC65 7322085	⑧ Pressure pipe and fittings made of stainless steel or plastic	on request	
○ bracket extension	Ø 1½"	für KKC80 7323854A	○ For pump controllers and switchgears for mobile and stationary applications, measuring systems and monitoring devices,	see HOMA accessories	
③ Guide rails for coupling kits (steel galvanized and stainless steel A2/A4)		on request			



We reserve the right to alter our specifications without notice!