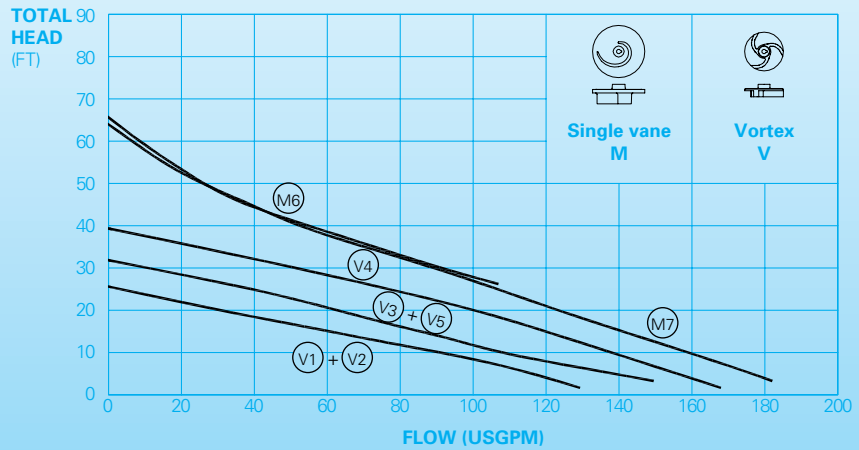


Submersible Wastewater Pumps 2" Discharge – 1 1/4" and 2" Solids

TP 30/TP 49



Performance



Application

The HOMA TP 30/TP 49 Series of submersible pumps are ideal for wastewater and effluent applications in residential, commercial and industrial applications.

These pumps are also excellent for drainage applications where solids are present.

Typical Fluids Handled Are:

- Clear water and drainage water
- Effluent and Sewage with soft solids
- Liquids to 140° F can be handled intermittantly.
- PH range 5 – 9 with specific Gravity to 1.1

TP 30 or TP 49 Series pumps are typically used in:

- Industrial Wastewater
- Effluent Distribution Systems
- Containment Area Sumps
- Pond or Lake Water
- Pools
- Laundries and Wash Stations
- Processing Plants
- Commercial Buildings
- Optional Factory Mutual (FM) label for Class I, Div 1 EX construction.

Features

Integral Lift Handle is arched to permit self centering of lifting device

Upper and Lower High Capacity Ball Bearings assure long life and reliability

Cast Iron Construction with PUR coating (Epoxy coating on request)

Motor Windings provided with Class F insulation and fully protected by embedded auto reset thermal switches

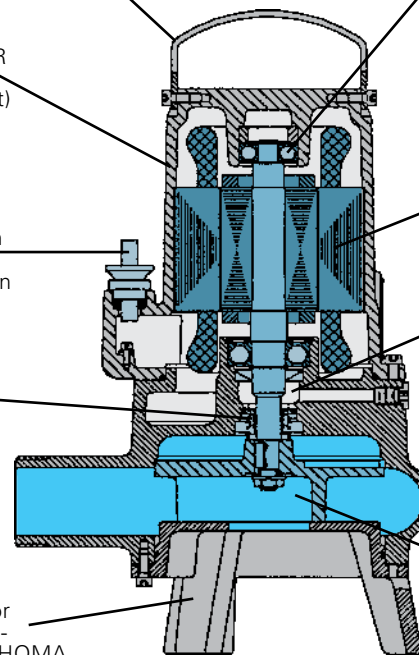
Extra Long Replaceable power cable of 33' length is retained and sealed with a strain relief gland

Standard Lower Seal material is Silicon Carbide

Oil Filled Seal Chamber positively lubricates seals and permits a seal leakage probe to be installed

Shown: Integral Mounting Stand for transportable applications. Optional: HOMA AutoCoupling System for permanent installations

Impellers are provided in Single Vane configuration for large solids handling, and in Vortex configuration for smooth vibration free operation and for handling fibrous or air entrained materials



Motor Construction

Motor Type:

enclosed submersible

NEMA insulation code:

class F

Service Factor:

1.15

NEMA Design Type:

B

Standard Cable Length:

33 ft

Available Motor Voltages:

1 Phase: 115 V, 200V, 230 V

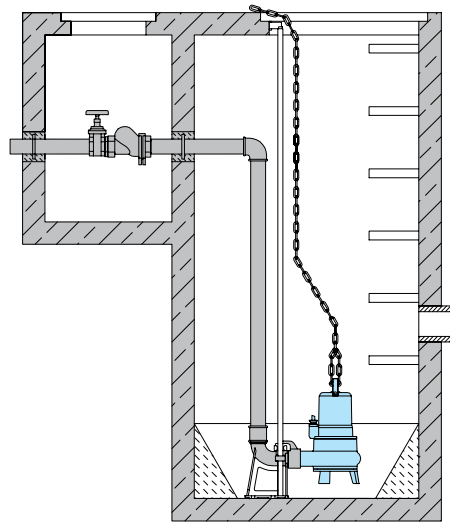
3 Phase: 200 V, 230 V, 380 V,
460 V, 575 V

Optional Explosion Proof construction:

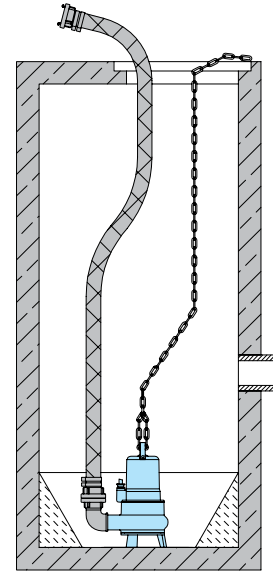
Factory Mutual approved for Class I, Div. 1, Group C & D.

Installations

Wet pit with autocoupling



Basestand



Materials

Motor housing, Volute and Impeller:

Cast Iron ASTM A 48, class 40B

Mechanical seal – Impeller side:

Silicon Carbide vs Silicon Carbide

Shaft seal – Motor side:

Lip seal

O-Rings:

Nitrile rubber

Bearings:

Deep groove Ball Bearings

Power cable sheathing:

Nitrile rubber

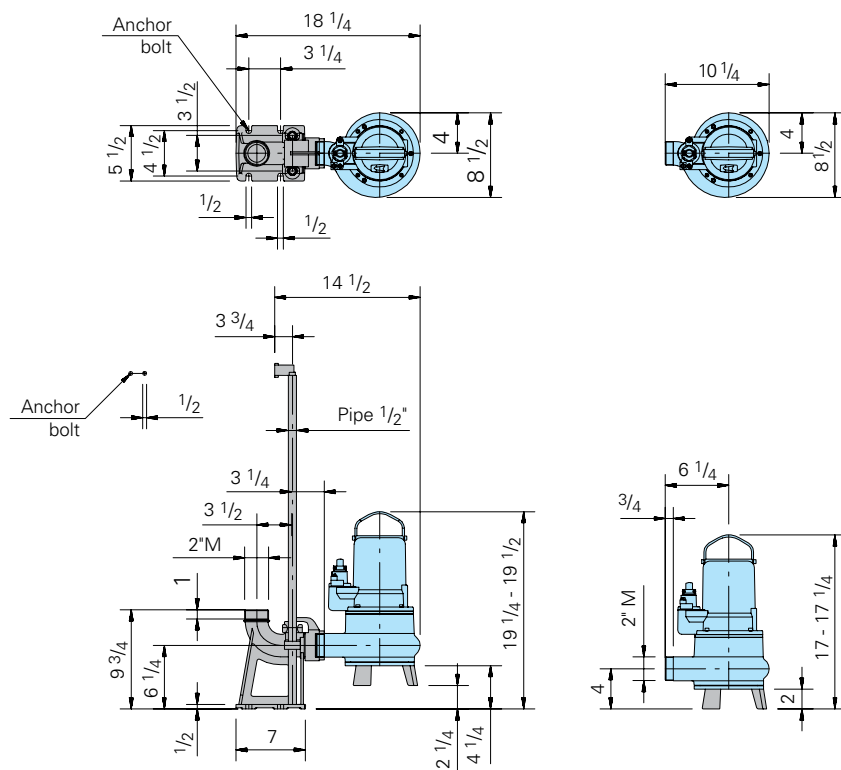
Shaft:

AISI 430 F

Fasteners:

AISI 304 SS

Dimensions (inches) (Tolerance +/- 1/4")



Technical Data

Curve No.	Pump Type	Solid size	Rated B.H.P.	Phase	Voltage (V)	Full Load Amps	Speed (rpm)	Weight (LBS)	NEMA code
V 1	TP30V16/2/1	1 1/4"	1.2	1	230	5.4	3450	53	F
V 2	TP30V16/2/3	1 1/4"	1.2	3	230/380/460	3.8/2.3/1.9	3450	53	G
V 3	TP30V24/2/1	1 1/4"	1.7	1	230	7.8	3450	55	F
V 4	TP30V24/2/3	1 1/4"	1.9	3	230/380/460	5.4/3.2/2.7	3450	55	G
V 5	TP49V24/2/1	2"	1.7	1	230	7.9	3450	53	F
V 5	TP49V24/2/3	2"	1.9	3	230/380/460	5.4/3.2/2.7	3450	53	G
M 6	TP30M24/2/1	1 1/4"	1.8	1	230	7.9	3450	55	F
M 7	TP30M24/2/3	1 1/4"	1.8	3	230/380/460	5.4/3.5/2.9	3450	55	G